

QUESTIONNAIRE TRUCK LOADING SPOUT

Form to complete and return by mail to contact@palamatic.fr

To make sure your data is taken into account, please save the document on your desktop before filling it in.

Company	<input type="text"/>	Date	<input type="text"/>
Contact name	<input type="text"/>	Project.ref	<input type="text"/>
Function	<input type="text"/>	Phone	<input type="text"/>
Adress	<input type="text"/>	E-mail	<input type="text"/>
City	<input type="text"/>		
Country	<input type="text"/>		

Sector of activity

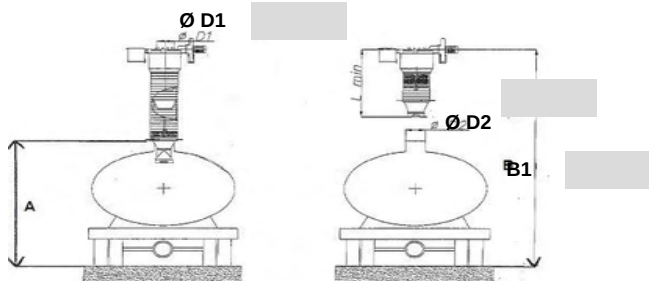
Food & Feed	<input type="checkbox"/>	Chemical industry	<input type="checkbox"/>	Fine chemical industry	<input type="checkbox"/>
Building industry	<input type="checkbox"/>	Water treatment	<input type="checkbox"/>	Other	<input type="text"/>



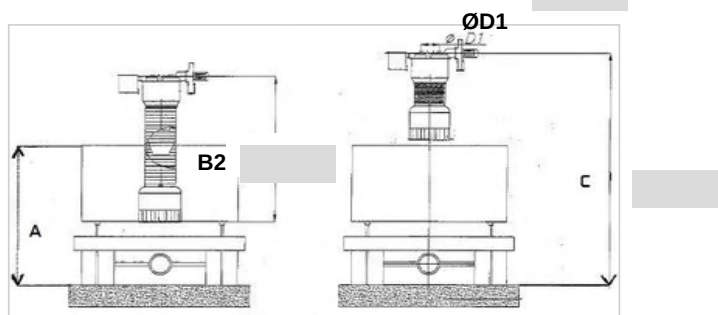
PROCESS REQUIREMENTS - IF POSSIBLE, SEND US A SKETCH OF THE REQUIRED INSTALLATION

Tanker	Dump truck	
System implementation	Indoor	Outdoor
Operating temperature	-20°/+40° <input type="checkbox"/>	Other <input type="checkbox"/>
Height available in mm.		
Hoist	Electrical	Manual
Internal cone	yes	no
Dedusting system integrated	yes	no

Tanker dimensions



Dump truck dimensions



MANUFACTURING

Parts in contact with the product Mild steel AISI 304L AISI 316L Other

Other parts Mild steel AISI 304L AISI 316L Other

Atex yes* no Temperature

Zone 20 21 22 0 1 2

*If Atex zone, please send the corresponding questionnaire.

PRODUCTS CHARACTERISTICS

	Product 1		Product 2		Product 3		Product 4	
Designation								
Apparent density kg/m ³								
True density kg/m ³								
Maximum granulometry μm								
Main granulometry μm								
Angle of repose °								
Moisture content %								
Product temperature °C								
Abrasive	yes	no	yes	no	yes	no	yes	no
Toxic	yes	no	yes	no	yes	no	yes	no
Arching	yes	no	yes	no	yes	no	yes	no
Sticky	yes	no	yes	no	yes	no	yes	no
Food product	yes	no	yes	no	yes	no	yes	no
Special characteristics*	yes	no	yes	no	yes	no	yes	no

*If yes, please forward us the Material Safety Data Sheet.

It is very important to give us the maximum information on the products to be treated ; please send us the MSDS or inform us of the danger level/ toxicity of the product

Note: This data is important data for the validation of the adapted system.