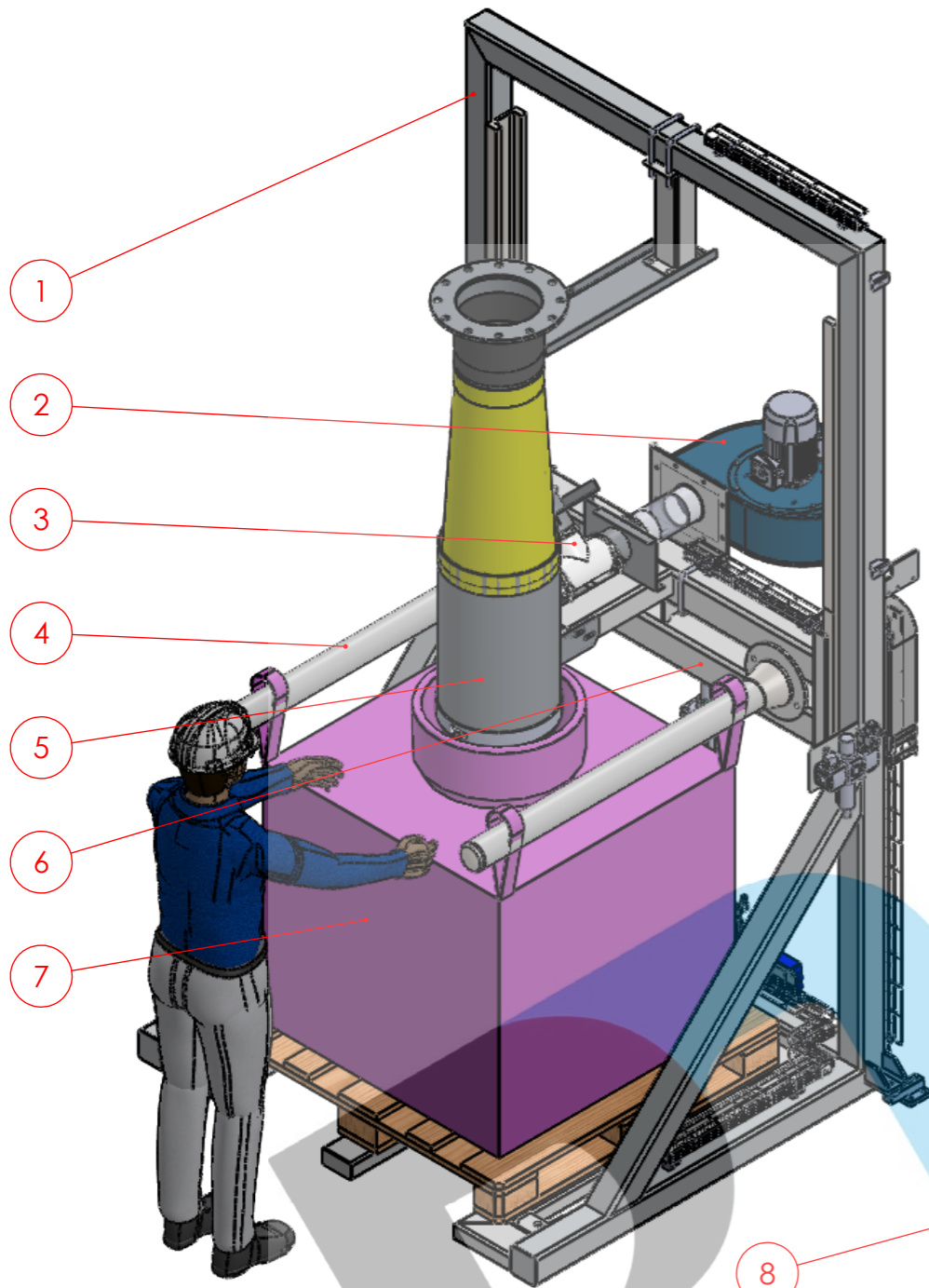
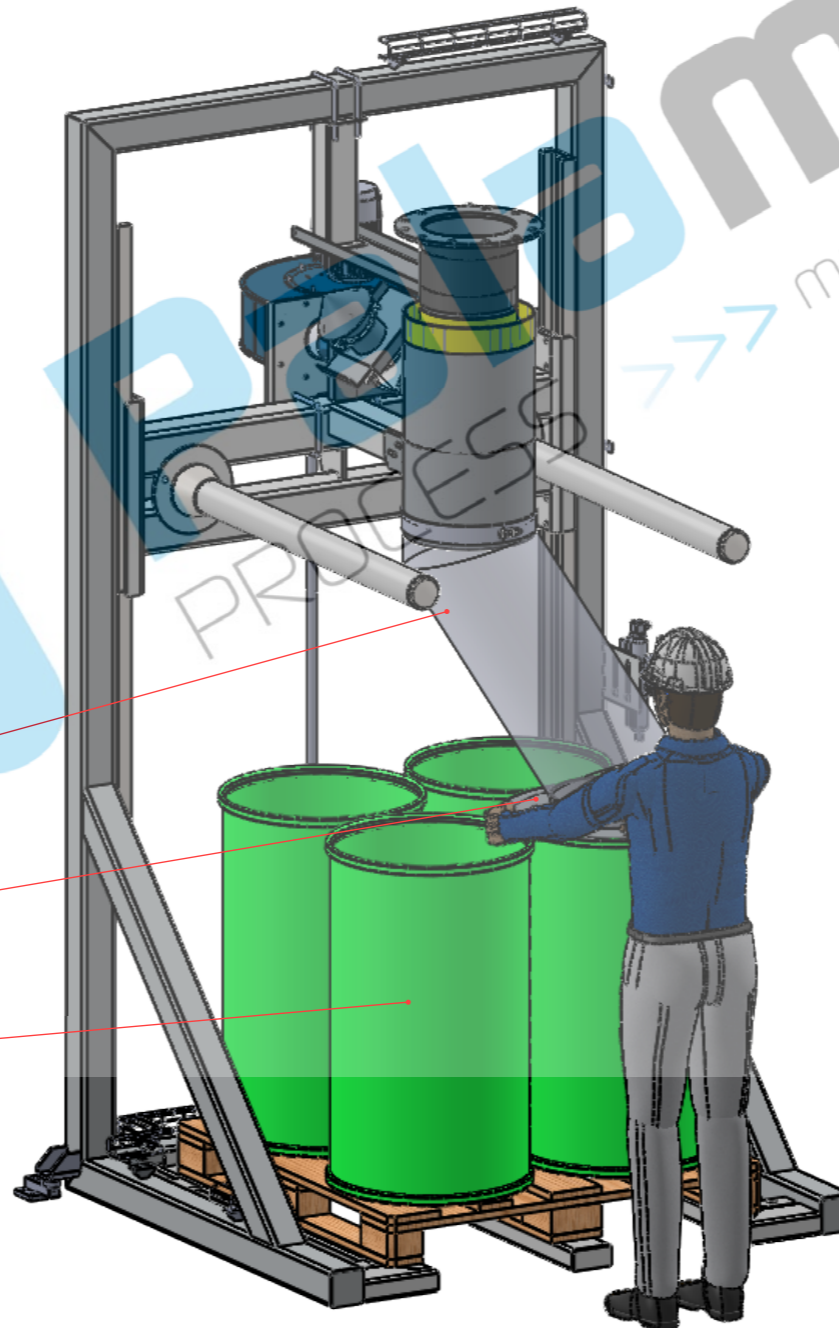


MODE DE REMPLISSAGE BIG BAG / BIG BAG FILLING METHOD

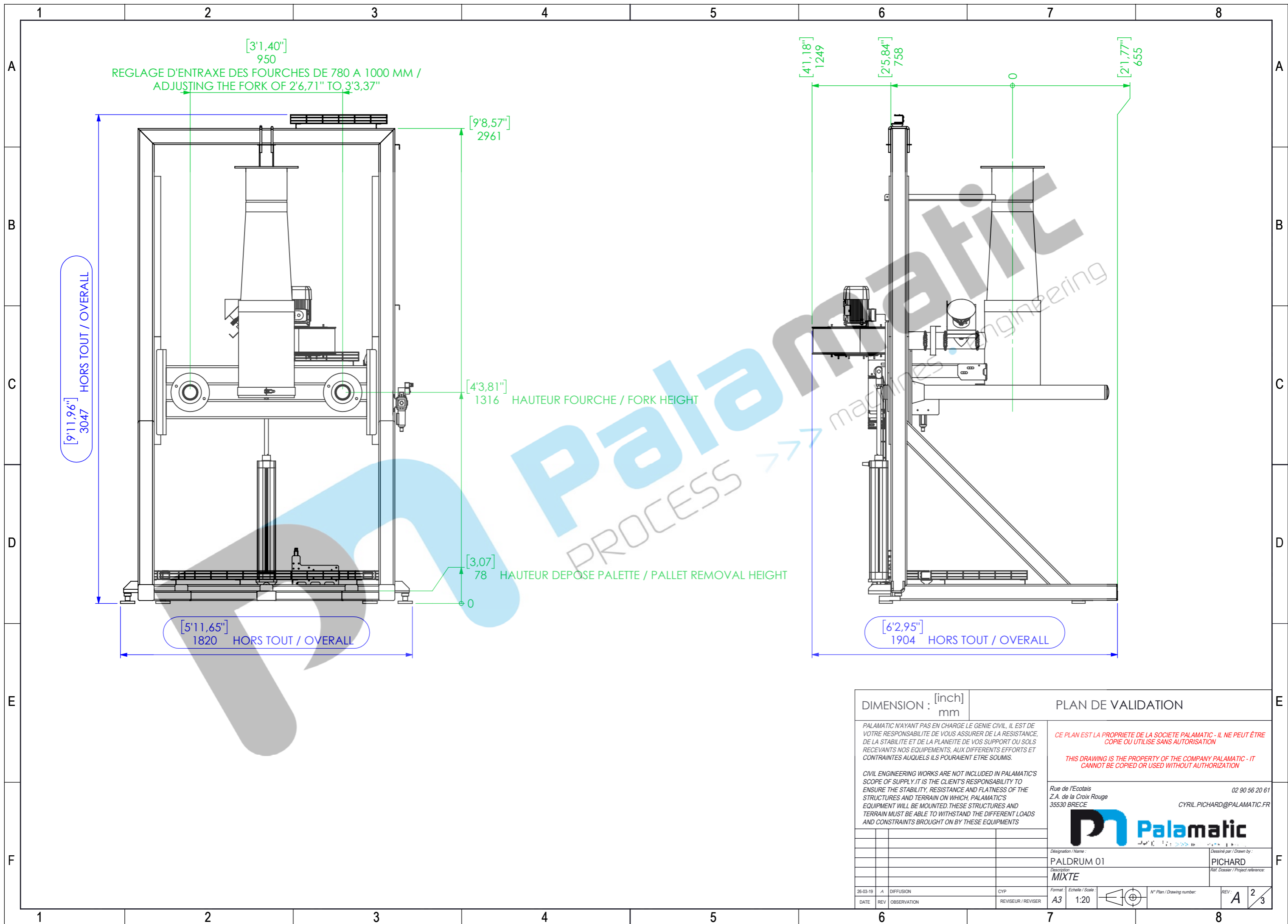


MODE DE REMPLISSAGE FUT / BARREL FILLING METHOD



| Table de nomenclature | | | |
|-----------------------|--|--------------------------|-----|
| REP. | DESIGNATION (FR) | DESIGNATION (ENGLISH) | QTE |
| 1 | STRUCTURE | STRUCTURE | 1 |
| 2 | VENTILATEUR DE GONFLAGE BIG BAG | BIG BAG INFLATION FAN | 1 |
| 3 | PIQUAGE POUR DEPOUSSIERAGE OU MISE A L'AIR | DEGASING CONNECTION | 1 |
| 4 | FOURCHE POUR ANSES BIG BAG | FORK FOR BIG BAG HANDLER | 2 |
| 5 | TUBE DE REMPLISSAGE | FILLING TUBE | 1 |
| 6 | TABLIER FOURCHES | FORKS CARRIAGE | 1 |
| 7 | BIG BAG | BIG BAG | 1 |
| 8 | TUBE REMPLISSAGE FUT | BARREL FILLING TUBE | 1 |
| 9 | COUVERCLE REMPLISSAGE FUT | BARREL FILLING COVER | 1 |
| 10 | FUT | BARREL | 4 |

| | | | |
|--|-----|---|-------------------|
| DIMENSION : [inch] mm | | PLAN DE VALIDATION | |
| <p>PALAMATIC N'AYANT PAS EN CHARGE LE GENIE CIVIL, IL EST DE VOTRE RESPONSABILITE DE VOUS ASSURER DE LA RESISTANCE, DE LA STABILITE ET DE LA PLANEITE DE VOS SUPPORT OU SOLS RECEVANTS NOS EQUIPEMENTS, AUX DIFFERENTS EFFORTS ET CONTRAINTES AUQUELS ILS POURAIENT ETRE SOUMIS.</p> <p>CIVIL ENGINEERING WORKS ARE NOT INCLUDED IN PALAMATIC'S SCOPE OF SUPPLY. IT IS THE CLIENT'S RESPONSIBILITY TO ENSURE THE STABILITY, RESISTANCE AND FLATNESS OF THE STRUCTURES AND TERRAIN ON WHICH, PALAMATIC'S EQUIPMENT WILL BE MOUNTED. THESE STRUCTURES AND TERRAIN MUST BE ABLE TO WITHSTAND THE DIFFERENT LOADS AND CONSTRAINTS BROUGHT ON BY THESE EQUIPMENTS</p> | | <p>CE PLAN EST LA PROPRIETE DE LA SOCIETE PALAMATIC - IL NE PEUT ÊTRE COPIÉ OU UTILISÉ SANS AUTORISATION</p> <p>THIS DRAWING IS THE PROPERTY OF THE COMPANY PALAMATIC - IT CANNOT BE COPIED OR USED WITHOUT AUTHORIZATION</p> | |
| <p>Rue de l'Écolais Z.A. de la Croix Rouge 35530 BRECE</p> | | <p>02 90 56 20 61 CYRIL.PICHARD@PALAMATIC.FR</p> | |
| <p>Designation / Name : PALDRUM 01</p> | | <p>Dessiné par / Drawn by : PICHARD</p> | |
| <p>Description : MIXTE</p> | | <p>Ref. Dossier / Project reference :</p> | |
| 26-03-19 | A | DIFFUSION | CYP |
| DATE | REV | OBSERVATION | REVISER / REVISER |
| Format : A3 | | Echelle / Scale : 1:20 | |
| N° Plan / Drawing number : | | REV: A 1/3 | |



[3'1,40"]
950
REGLAGE D'ENTRAXE DES FOURCHES DE 780 A 1000 MM /
ADJUSTING THE FORK OF 2'6,71" TO 3'3,37"

[9'8,57"]
2961

[4'3,81"]
1316 HAUTEUR FOURCHE / FORK HEIGHT

[3,07]
78 HAUTEUR DEPOSE PALETTE / PALLET REMOVAL HEIGHT

[9'11,96"]
3047 HORS TOUT / OVERALL

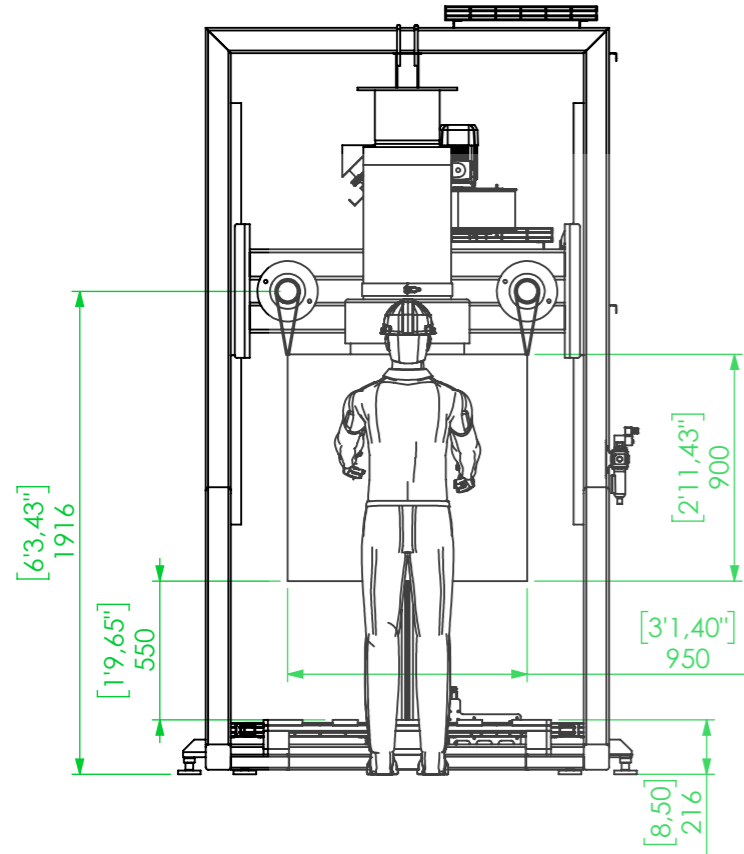
[5'11,65"]
1820 HORS TOUT / OVERALL

[4'1,18"]
1249
[2'5,84"]
758
[2'1,77"]
655

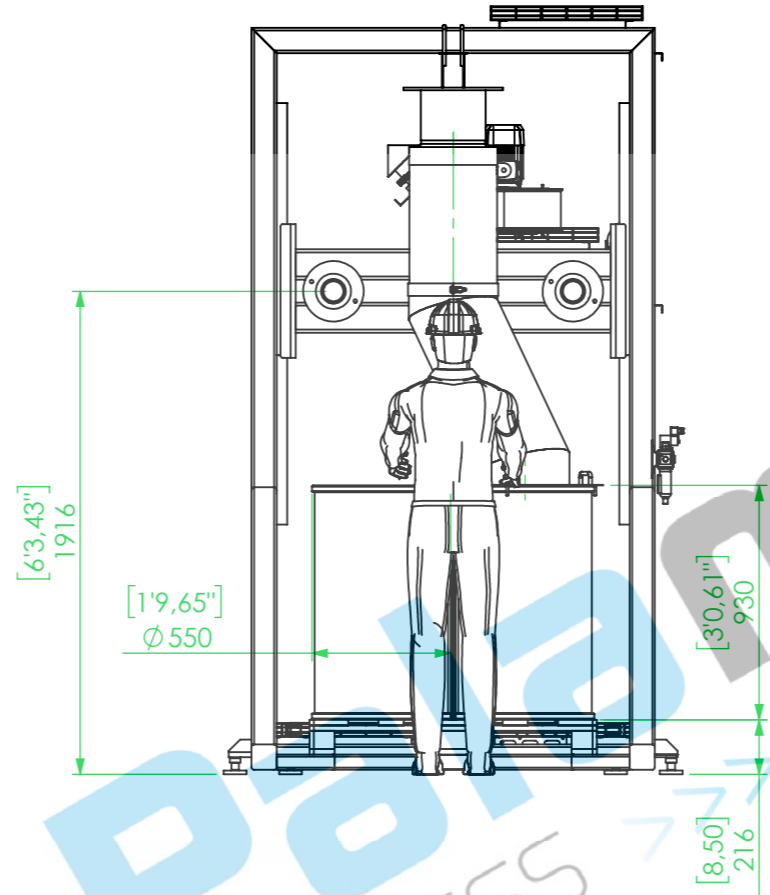
[6'2,95"]
1904 HORS TOUT / OVERALL

| | | | |
|--|--|---|--|
| DIMENSION : [inch] mm | | PLAN DE VALIDATION | |
| <p>PALAMATIC N'AYANT PAS EN CHARGE LE GENIE CIVIL, IL EST DE VOTRE RESPONSABILITE DE VOUS ASSURER DE LA RESISTANCE, DE LA STABILITE ET DE LA PLANEITE DE VOS SUPPORT OU SOLS RECEVANTS NOS EQUIPEMENTS, AUX DIFFERENTS EFFORTS ET CONTRAINTES AUQUELS ILS POURAIENT ETRE SOUMIS.</p> <p>CIVIL ENGINEERING WORKS ARE NOT INCLUDED IN PALAMATIC'S SCOPE OF SUPPLY. IT IS THE CLIENT'S RESPONSIBILITY TO ENSURE THE STABILITY, RESISTANCE AND FLATNESS OF THE STRUCTURES AND TERRAIN ON WHICH, PALAMATIC'S EQUIPMENT WILL BE MOUNTED. THESE STRUCTURES AND TERRAIN MUST BE ABLE TO WITHSTAND THE DIFFERENT LOADS AND CONSTRAINTS BROUGHT ON BY THESE EQUIPMENTS</p> | | <p>CE PLAN EST LA PROPRIETE DE LA SOCIETE PALAMATIC - IL NE PEUT ETRE COPIE OU UTILISE SANS AUTORISATION</p> <p>THIS DRAWING IS THE PROPERTY OF THE COMPANY PALAMATIC - IT CANNOT BE COPIED OR USED WITHOUT AUTHORIZATION</p> | |
| | | <p>Rue de l'Ecotais 02 90 56 20 61 Z.A. de la Croix Rouge 35530 BRECE CYRIL.PICHARD@PALAMATIC.FR</p> | |
| | | | |
| | | <p>Designation / Name : PALDRUM 01 Description : MIXTE Dessiné par / Drawn by : PICHARD Ref. Dossier / Project reference :</p> | |
| <p>26-03-19 A DIFFUSION CYP DATE REV OBSERVATION REVISUR / REVISER</p> | | <p>Format / Echelle / Scale : A3 1:20 N° Plan / Drawing number : REV: A 2 3</p> | |

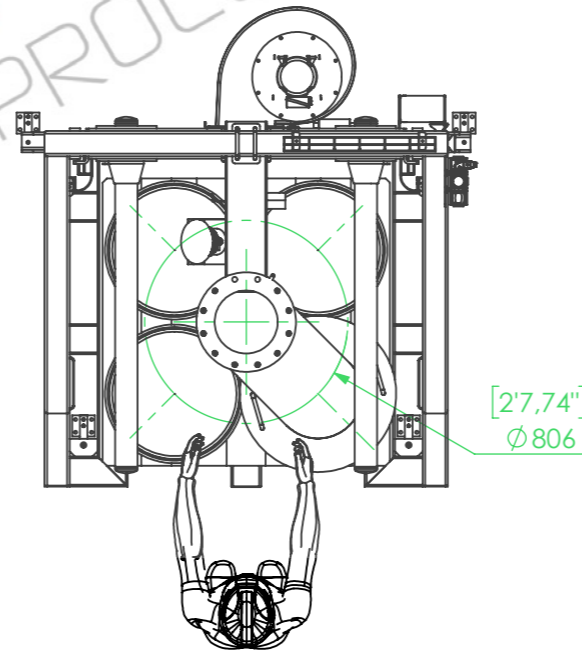
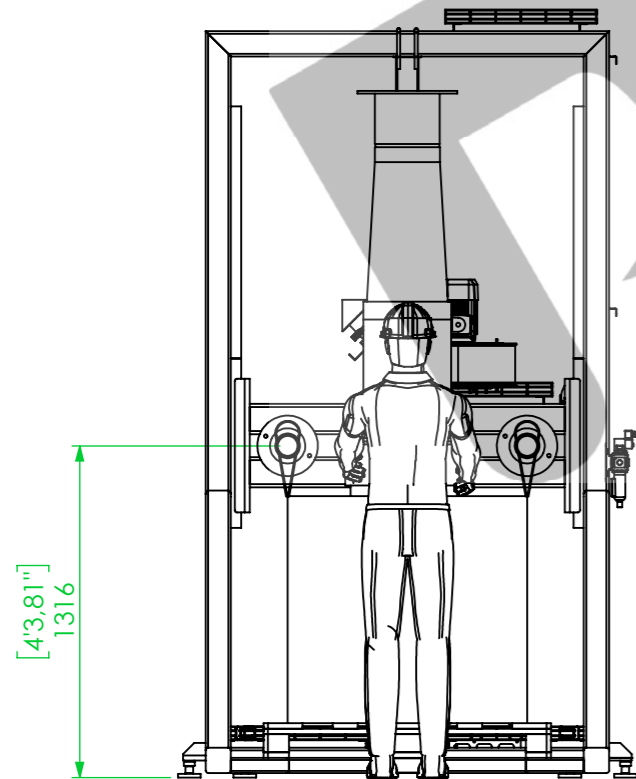
**POSITION REPLISSAGE BIGBAG /
BIGBAG FILLING POSITION**



**REPLISSAGE FUTS /
BARREL FILLING**



**POSITION MISE EN PLACE BIGBAG ET
LARGAGE BIGBAG /
BIGBAG POSITIONNING AND SHOPPING**



| DIMENSION : [inch] mm | | PLAN DE VALIDATION | |
|--|--|---|--|
| <p>PALAMATIC N'AYANT PAS EN CHARGE LE GENIE CIVIL, IL EST DE VOTRE RESPONSABILITE DE VOUS ASSURER DE LA RESISTANCE, DE LA STABILITE ET DE LA PLANEITE DE VOS SUPPORT OU SOLS RECEVANTS NOS EQUIPEMENTS, AUX DIFFERENTS EFFORTS ET CONTRAINTES AUQUELS ILS POURAIENT ETRE SOUMIS.</p> <p>CIVIL ENGINEERING WORKS ARE NOT INCLUDED IN PALAMATIC'S SCOPE OF SUPPLY. IT IS THE CLIENT'S RESPONSIBILITY TO ENSURE THE STABILITY, RESISTANCE AND FLATNESS OF THE STRUCTURES AND TERRAIN ON WHICH, PALAMATIC'S EQUIPMENT WILL BE MOUNTED. THESE STRUCTURES AND TERRAIN MUST BE ABLE TO WITHSTAND THE DIFFERENT LOADS AND CONSTRAINTS BROUGHT ON BY THESE EQUIPMENTS</p> | | <p>CE PLAN EST LA PROPRIETE DE LA SOCIETE PALAMATIC - IL NE PEUT ÊTRE COPIÉ OU UTILISÉ SANS AUTORISATION</p> <p>THIS DRAWING IS THE PROPERTY OF THE COMPANY PALAMATIC - IT CANNOT BE COPIED OR USED WITHOUT AUTHORIZATION</p> | |
| <p>Rue de l'Écolais Z.A. de la Croix Rouge 35530 BRECE</p> | | <p>02 90 56 20 61 CYRIL.PICHARD@PALAMATIC.FR</p> | |
| <p>Designation / Name : PALDRUM 01</p> | | <p>Dessiné par / Drawn by : PICHARD</p> | |
| <p>DATE : 26-03-19</p> | | <p>Ref. Dossier / Project reference: MIXTE</p> | |
| <p>REV : A</p> | | <p>Format / Echelle / Scale : A3 1:30</p> | |
| <p>DIFFUSION</p> | | <p>N° Plan / Drawing number: A 3</p> | |
| <p>REVISION / OBSERVATION</p> | | <p>REVISER / REVISER</p> | |