

Table de nomenclature			
REP.	DESIGNATION(FR)	DESIGNATION(ENGLISH)	QTE
1	VENTILATEUR DE GONFLAGE BIG BAG	BIG BAG INFLATING FAN	1
2	CONNEXION DEPOUSSIERAGE	DEDUSTING CONNECTION	1
3	SYSTEME DE PESEE	WEIGHING SYSTEM	1
4	MANCHETTE SOUPLE	FLEXIBLE SLEEVE	1
5	DECROCHAGE BIG BAG AUTOMATIQUE	AUTOMATIC BIG BAG RELEASE	2
6	JOINT GONFLANT	INFLATING SEAL	1
7	STRUCTURE DE SUPPORTAGE	SUPPORT STRUCTURE	1
8	TABLE ELEVATRICE	LIFTING TABLE	1

DIMENSION : [inch] / mm PLAN D'INFORMATION / INFORMATION DRAWING

PALAMATIC N'AYANT PAS EN CHARGE LE GENIE CIVIL, IL EST DE VOTRE RESPONSABILITE DE VOUS ASSURER DE LA RESISTANCE, DE LA STABILITE ET DE LA PLANEITE DE VOS SUPPORT OU SOLS RECEVANTS NOS EQUIPEMENTS, AUX DIFFERENTS EFFORTS ET CONTRAINTES AUQUELS ILS POURAIENT ETRE SOUMIS.

CE PLAN EST LA PROPRIETE DE LA SOCIETE PALAMATIC - IL NE PEUT ETRE COPIE OU UTILISE SANS AUTORISATION
THIS DRAWING IS THE PROPERTY OF THE COMPANY PALAMATIC - IT CANNOT BE COPIED OR USED WITHOUT AUTHORIZATION

CIVIL ENGINEERING WORKS ARE NOT INCLUDED IN PALAMATIC'S SCOPE OF SUPPLY. IT IS THE CLIENT'S RESPONSIBILITY TO ENSURE THE STABILITY, RESISTANCE AND FLATNESS OF THE STRUCTURES AND TERRAIN ON WHICH, PALAMATIC'S EQUIPMENT WILL BE MOUNTED. THESE STRUCTURES AND TERRAIN MUST BE ABLE TO WITHSTAND THE DIFFERENT LOADS AND CONSTRAINTS BROUGHT ON BY THESE EQUIPMENTS

Rue de l'Écolais 02 90 56 20 61
Z.A. de la Croix Rouge
35530 BRECE
CYRIL.PICHARD@PALAMATIC.FR

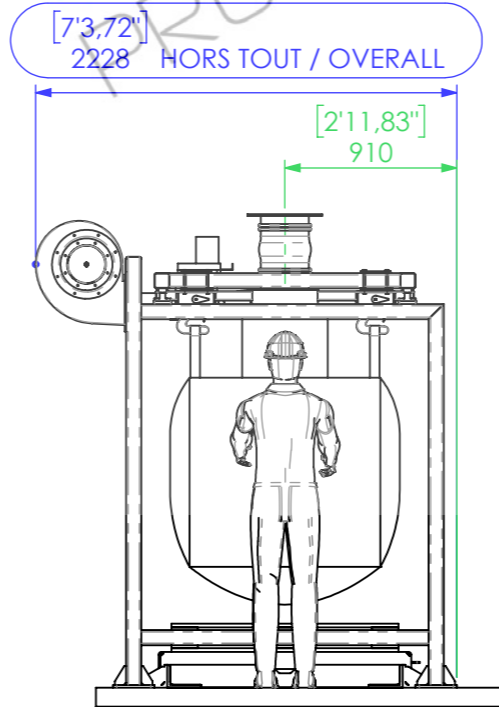
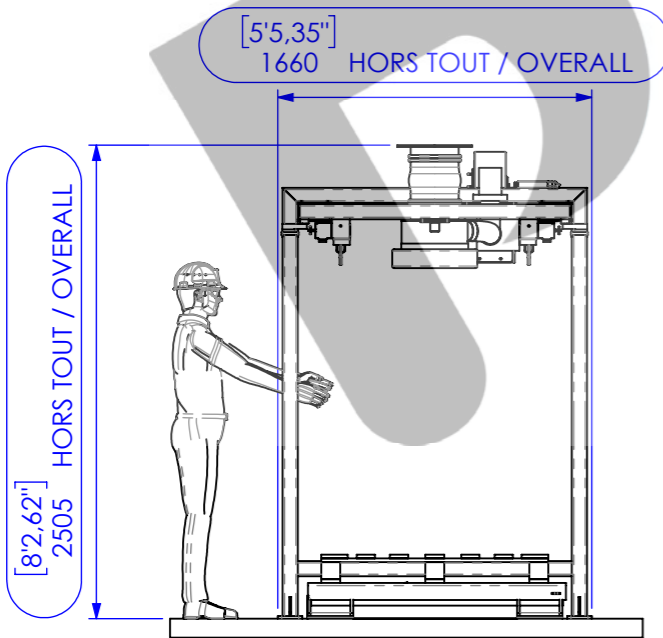
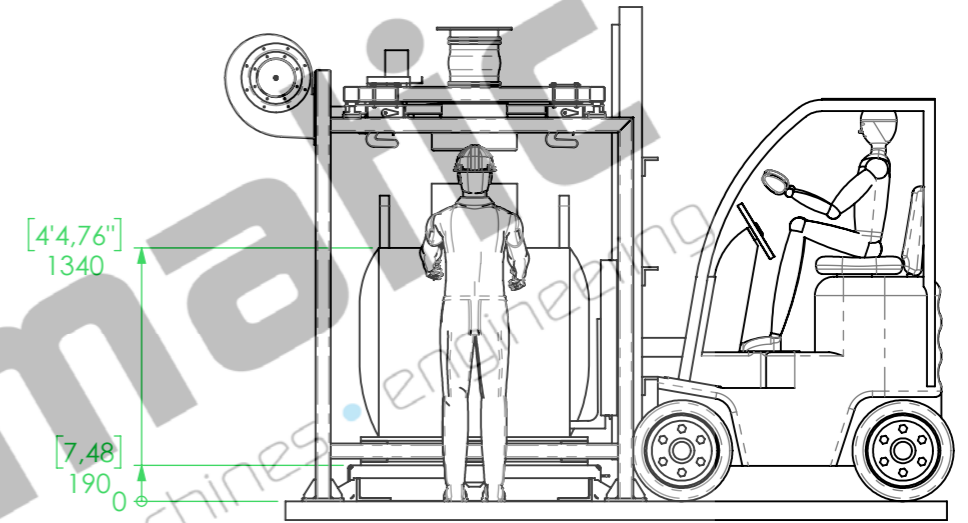
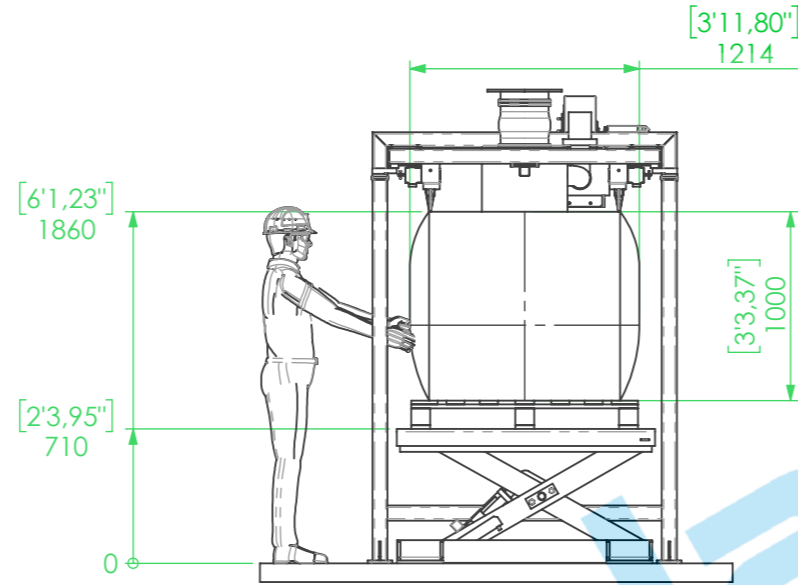
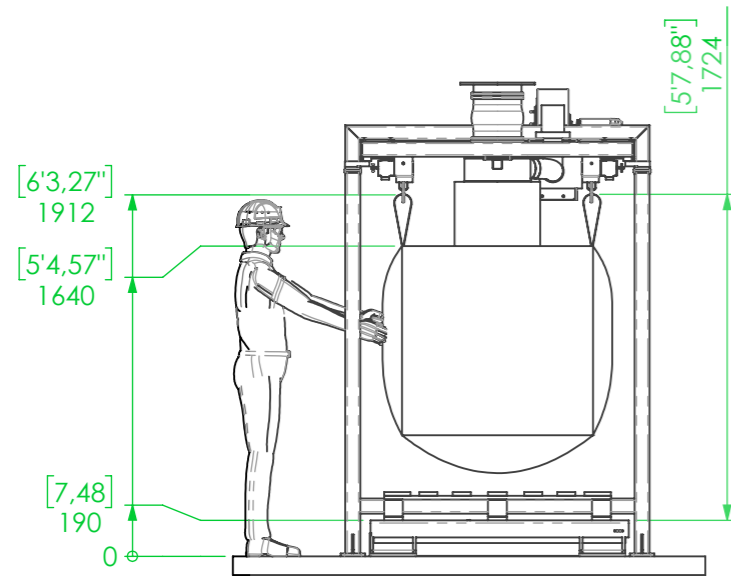


Designation / Name :		Dessiné par / Drawn by :	
REPLISSAGE BIG BAG		PICHARD	
Description :		Ref. Dossier / Project reference :	
FLOWMATIC 05 TE			
03-04-19	A	DIFFUSION	CYP
DATE	REV	OBSERVATION	REVISUR / REVISOR
Format / Echelle / Scale :		N° Plan / Drawing number :	
A3 1:20		A 1/2	

REPLISSAGE BIG BAG / BIG BAG FILLING:

DECROCHAGE BIG BAG / BIG BAG RELEASE:

DECHARGEMENT BIG BAG / BIG BAG UNLOADING:



DIMENSION : [inch] mm PLAN D'INFORMATION / INFORMATION DRAWING

PALAMATIC N'AYANT PAS EN CHARGE LE GENIE CIVIL, IL EST DE VOTRE RESPONSABILITE DE VOUS ASSURER DE LA RESISTANCE, DE LA STABILITE ET DE LA PLANEITE DE VOS SUPPORT OU SOLS RECEVANTS NOS EQUIPEMENTS, AUX DIFFERENTS EFFORTS ET CONTRAINTES AUQUELS ILS POURAIENT ETRE SOUMIS.

CIVIL ENGINEERING WORKS ARE NOT INCLUDED IN PALAMATIC'S SCOPE OF SUPPLY. IT IS THE CLIENT'S RESPONSIBILITY TO ENSURE THE STABILITY, RESISTANCE AND FLATNESS OF THE STRUCTURES AND TERRAIN ON WHICH, PALAMATIC'S EQUIPMENT WILL BE MOUNTED. THESE STRUCTURES AND TERRAIN MUST BE ABLE TO WITHSTAND THE DIFFERENT LOADS AND CONSTRAINTS BROUGHT ON BY THESE EQUIPMENTS

CE PLAN EST LA PROPRIETE DE LA SOCIETE PALAMATIC - IL NE PEUT ETRE COPIE OU UTILISE SANS AUTORISATION

THIS DRAWING IS THE PROPERTY OF THE COMPANY PALAMATIC - IT CANNOT BE COPIED OR USED WITHOUT AUTHORIZATION

Rue de l'Écolais 02 90 56 20 61
Z.A. de la Croix Rouge
35530 BRECE
CYRIL.PICHARD@PALAMATIC.FR



Designation / Name : REMPLISSAGE BIG BAG Dessiné par / Drawn by : PICHARD
Description : FLOWMATIC 05 TE Ref. Dossier / Project reference:

03-04-19	A	DIFFUSION	CYP	Format / Echelle / Scale : A3 1:40	N° Plan / Drawing number :	REV: A 2/2
DATE	REV	OBSERVATION	REVISER / REVISER			